

MaskMatrixP5

Universal - for all Pinspotters and Pinsetters

Document rev 03 - 16 OCT 2023

MaskMatrix RGB LED Display for Mask Unit

Capable of displaying: Lane Number in multiple menu selectable colours and formats
 1st Ball
 2nd Ball
 Strike
 Foul
 STOP
 (if the Pinspotter or Pinsetter has the correct outputs available)

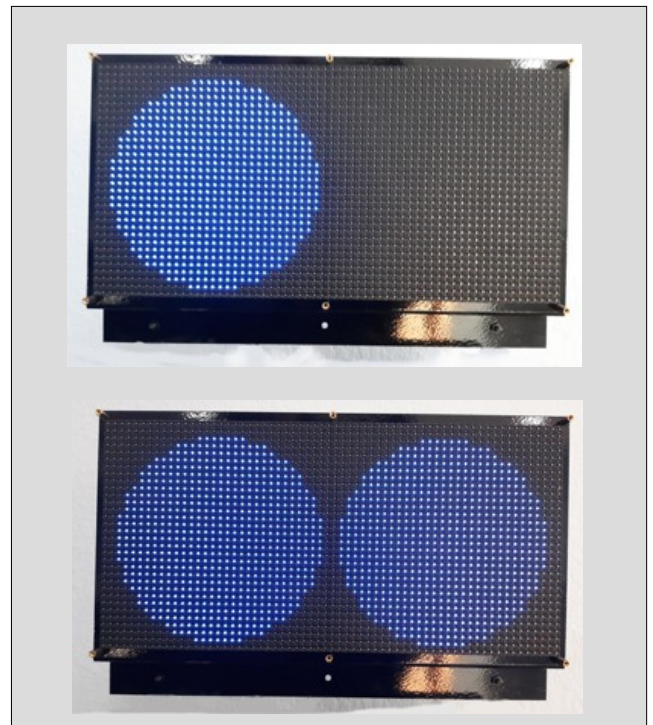


Product Features

- * Works on all Pinspotter and Pinsetter models
- * Display lane number while machine is OFF (if optional plug pack is used)
- * Use menu buttons on rear to set:
 - lane number
 - lane number colour for "machine OFF"
 - lane number colour for "machine ON"
 - set 1st and 2nd Ball indicator format and colour
 - set STRIKE format and colour
- * Dedicated inputs for:
 - machine power
 - 2nd Ball
 - Strike
 - Foul
 - STOP
- * 3 factory programmable inputs (dry relay contact)
- * 4 factory programmable outputs (5Vdc)
- *

Document Contents

- Page 1 - Front
- Page 2 - AMF 82-70
- Page 3 - AMF XL
- Page 4 - AMF XL Fat Chassis
- Page 5 - QubicaAMF XLi
- Page 6 - QubicaAMF TMSi
- Page 7 - QubicaAMF Edge
- Page 8 - Brunswick A/A2
- Page 9 - Brunswick GS
- Page 10 - Menus

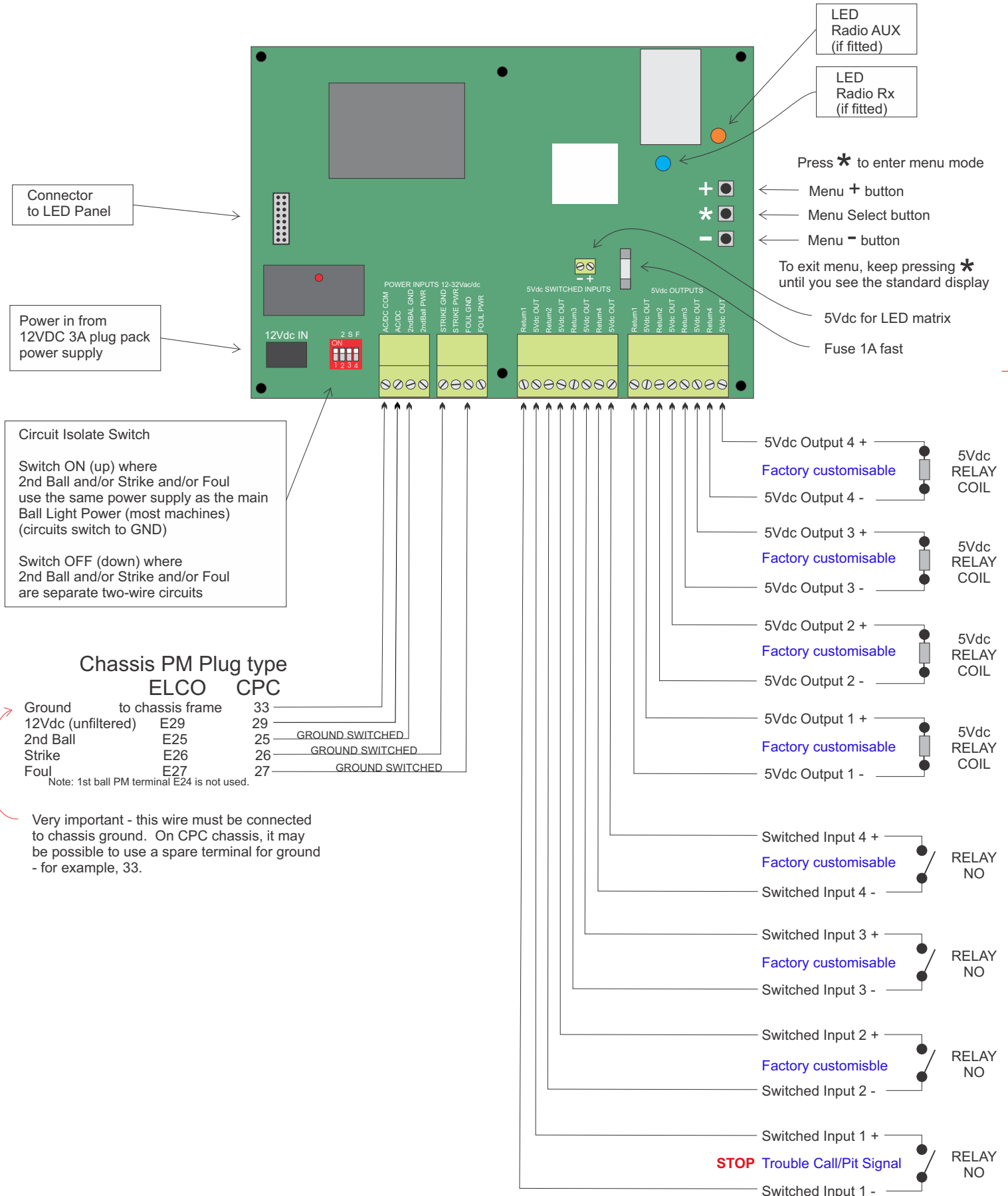


MaskMatrixP5

Universal - for all Pinpotters and Pinsetters



AMF 82-70

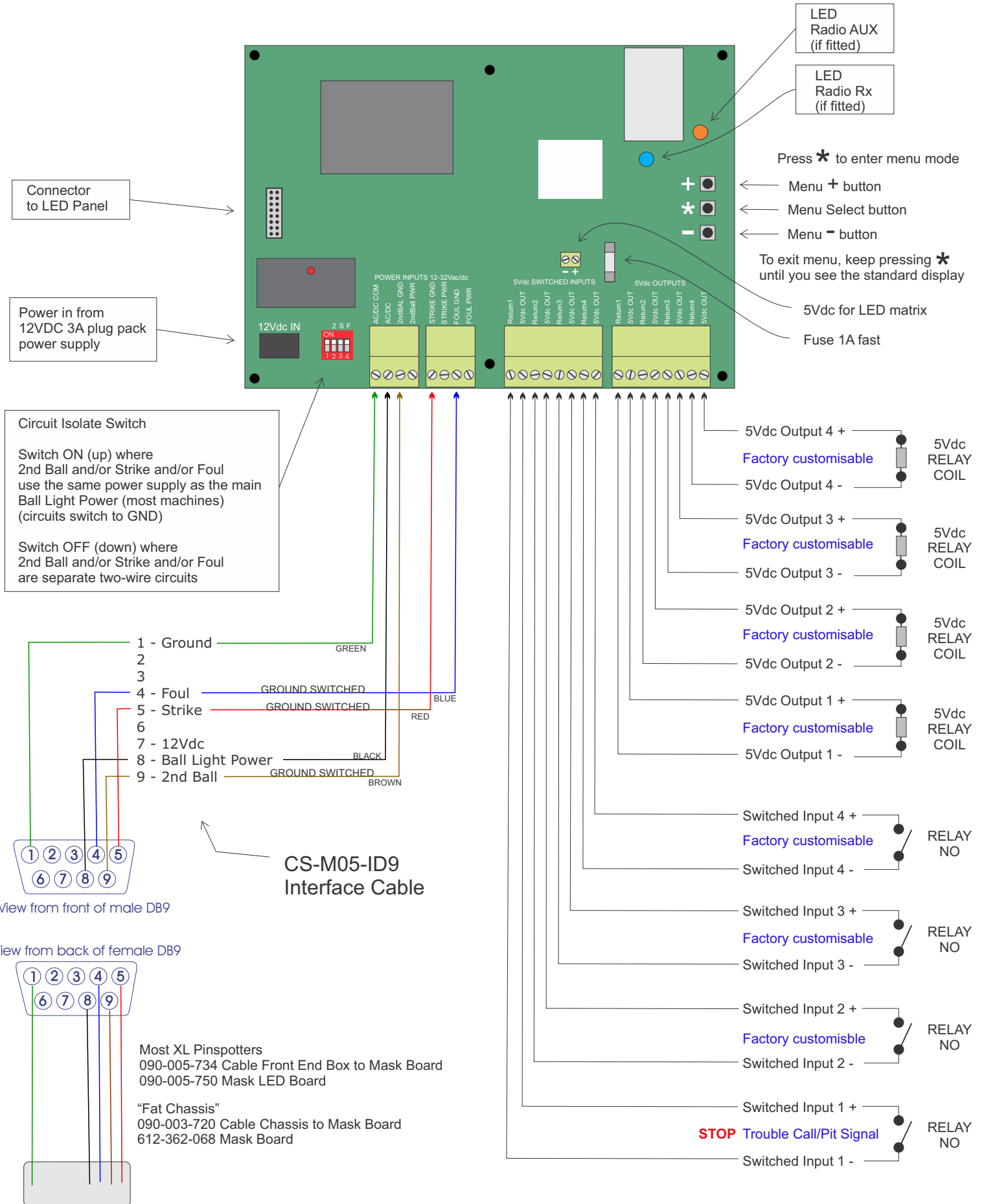


MaskMatrixP5

Universal - for all Pinsetters and Pinsetters



AMF 82-90XL

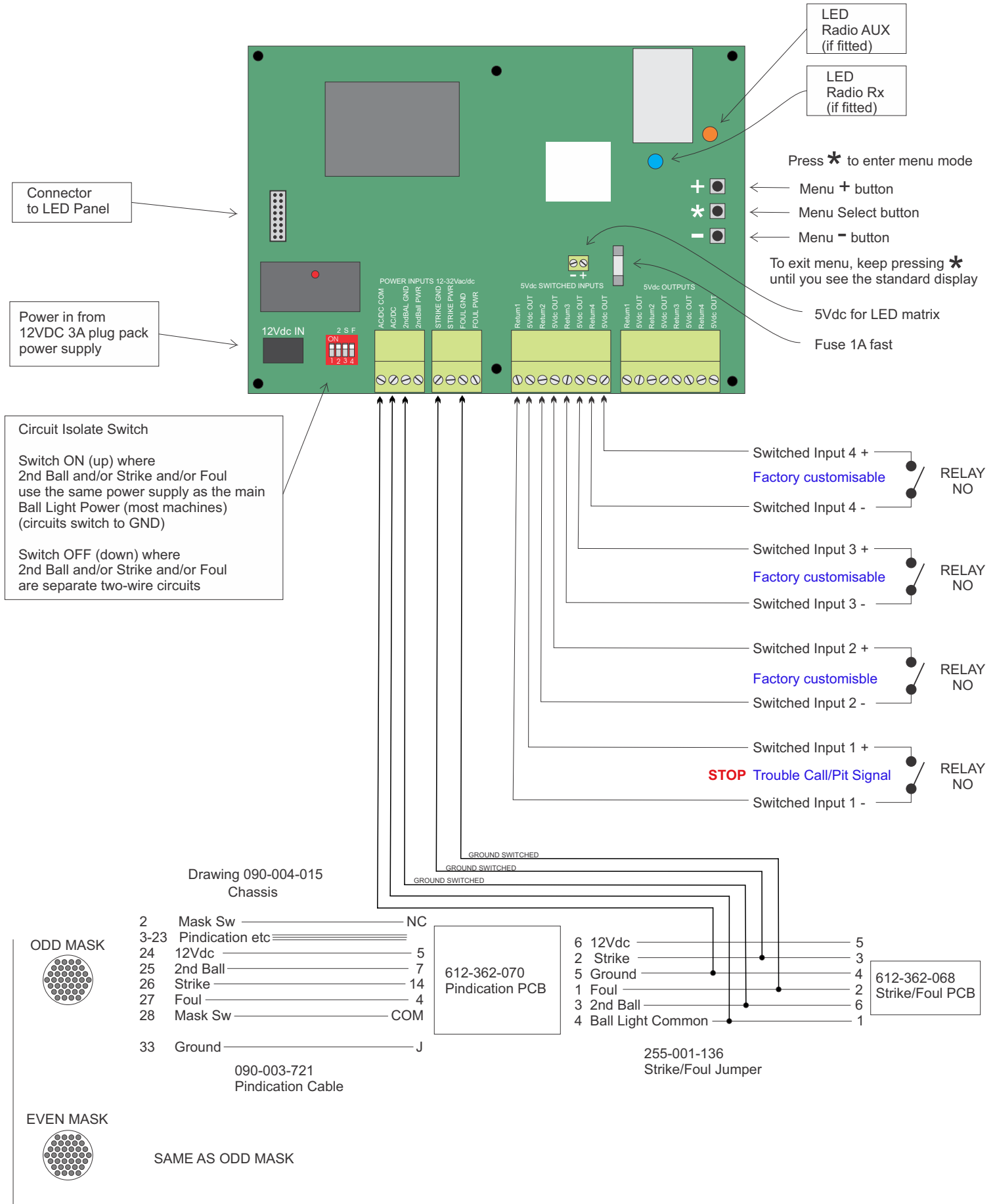


MaskMatrixP5

Universal - for all Pinspotters and Pinsetters



AMF 82-90XL Pinspotters ("Fat Chassis")

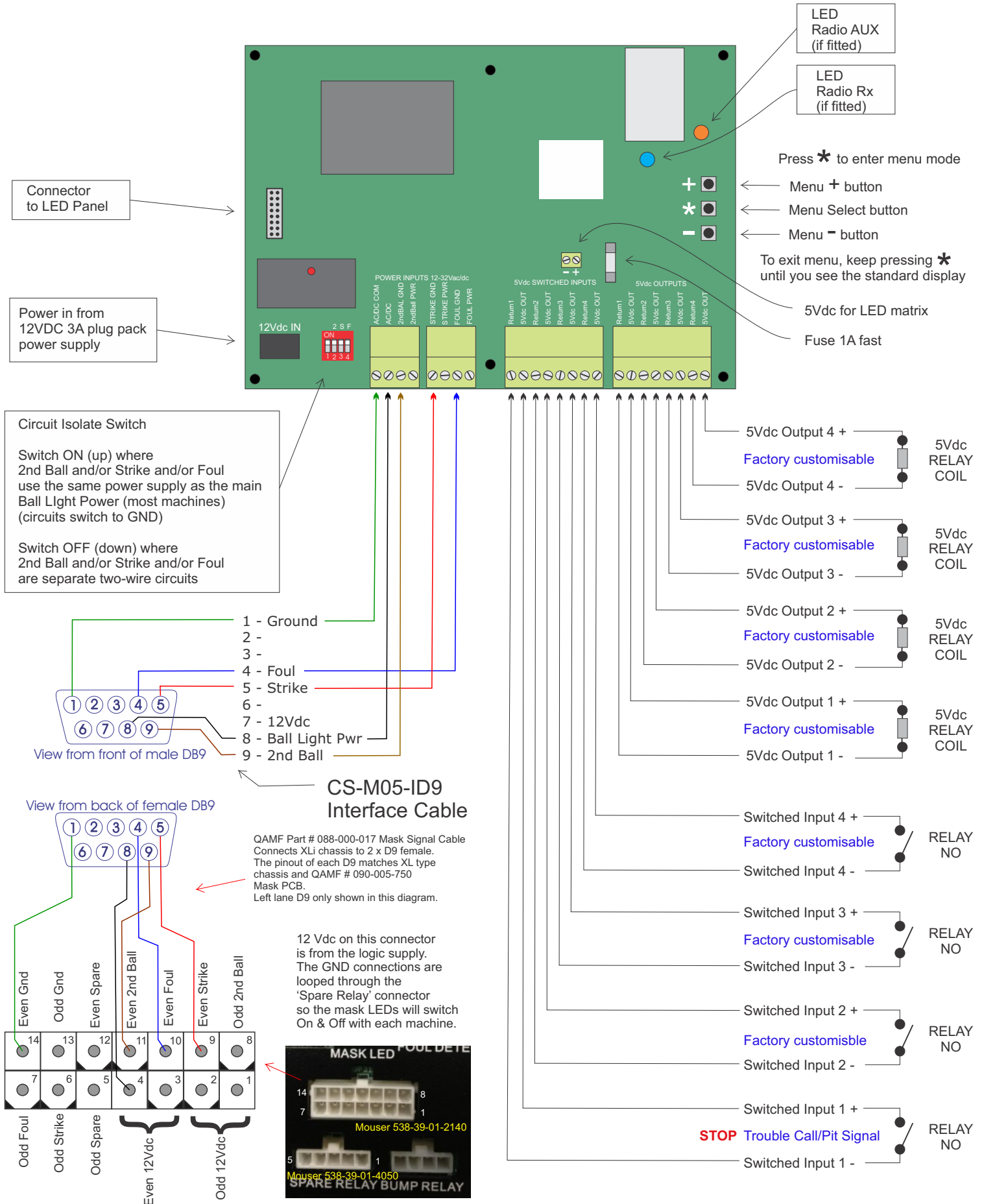


MaskMatrixP5

Universal - for all Pinstotters and Pinsetters



AMF 82-90XLi & Edge Pinstotters



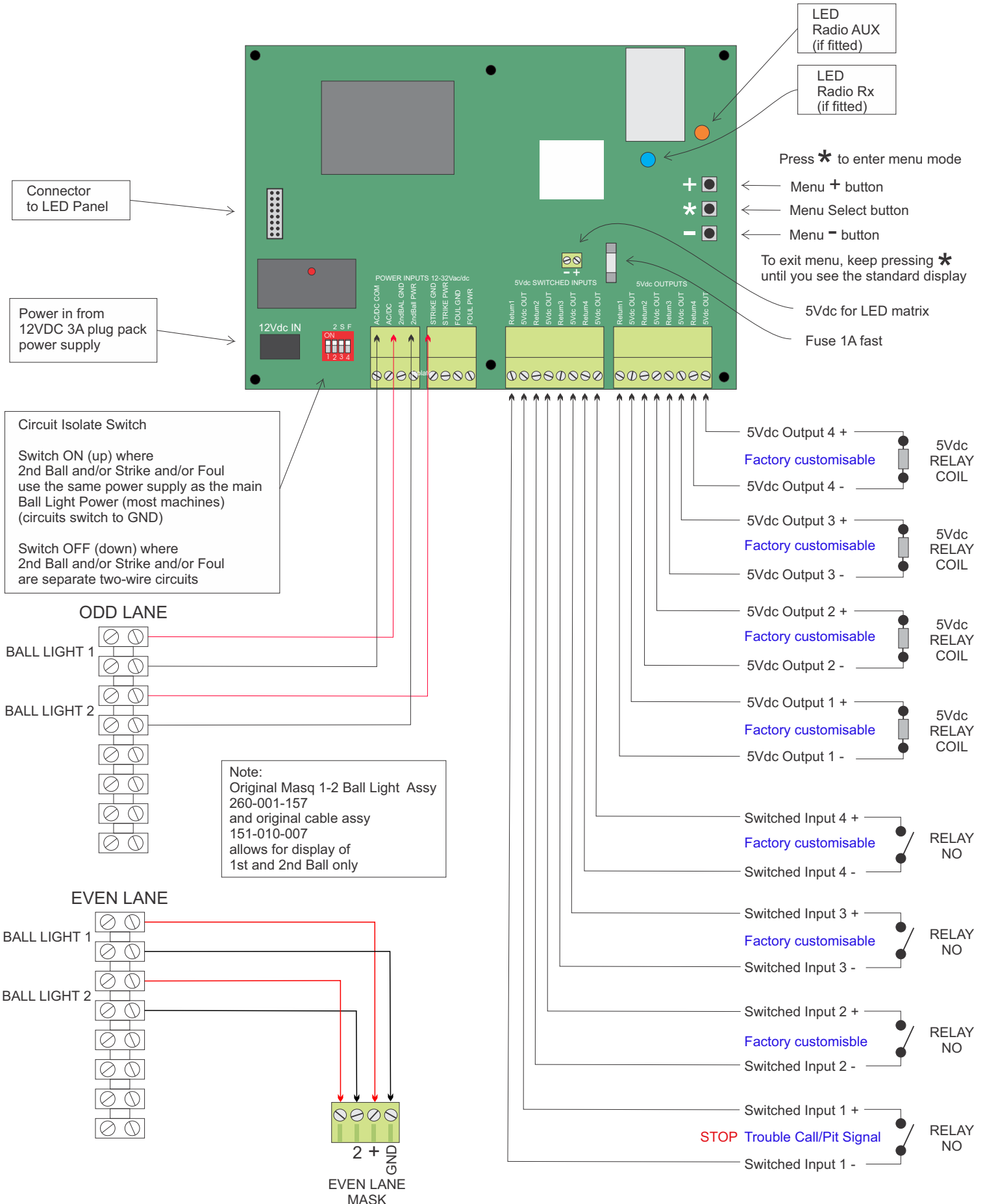
MaskMatrixP5

Universal - for all Pinsetters and Pinsetters



tenpintec.com

QubicaAMF TMS String Pinsetters

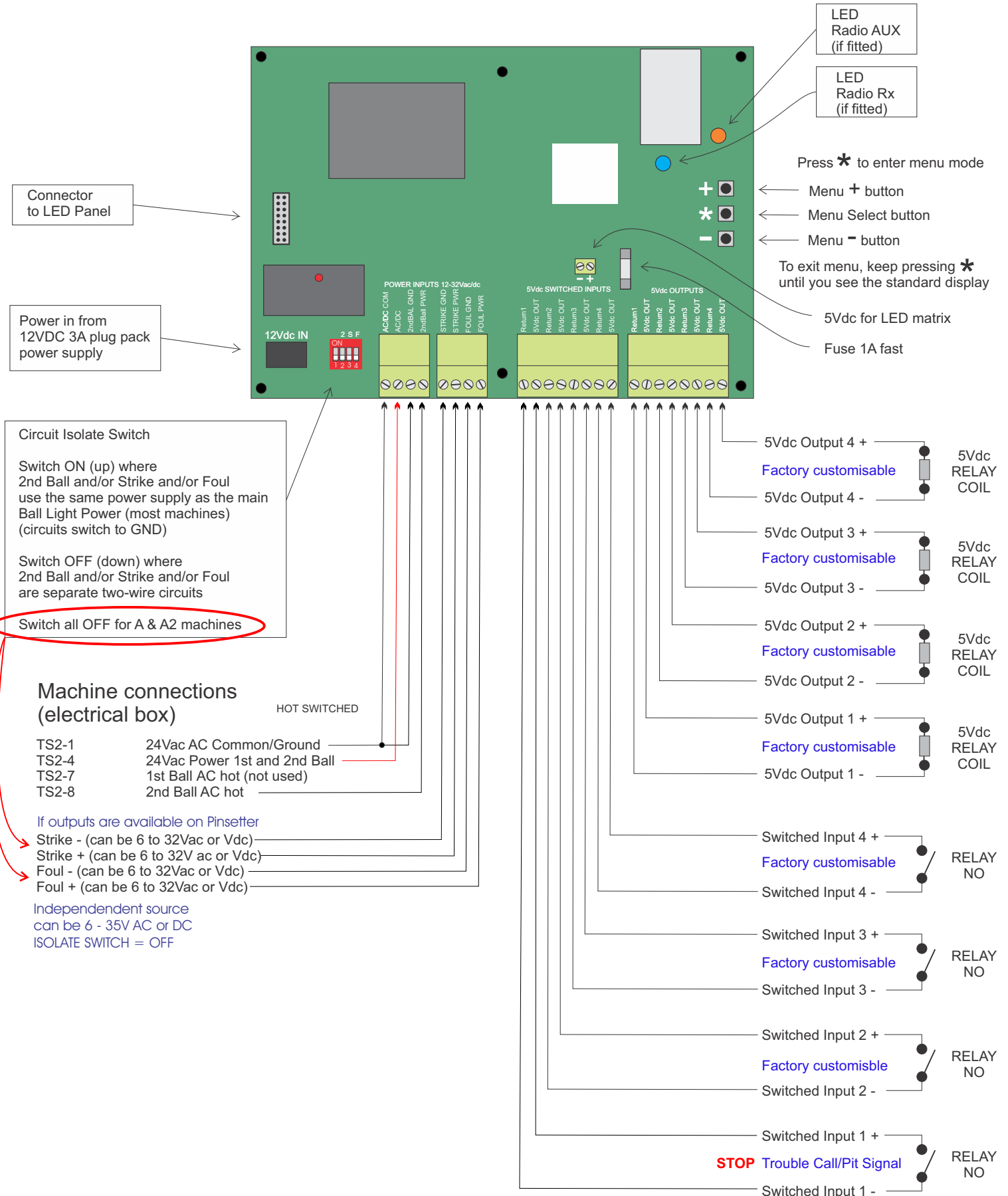


MaskMatrixP5

Universal - for all Pinpotters and Pinsetters



Brunswick A/A2

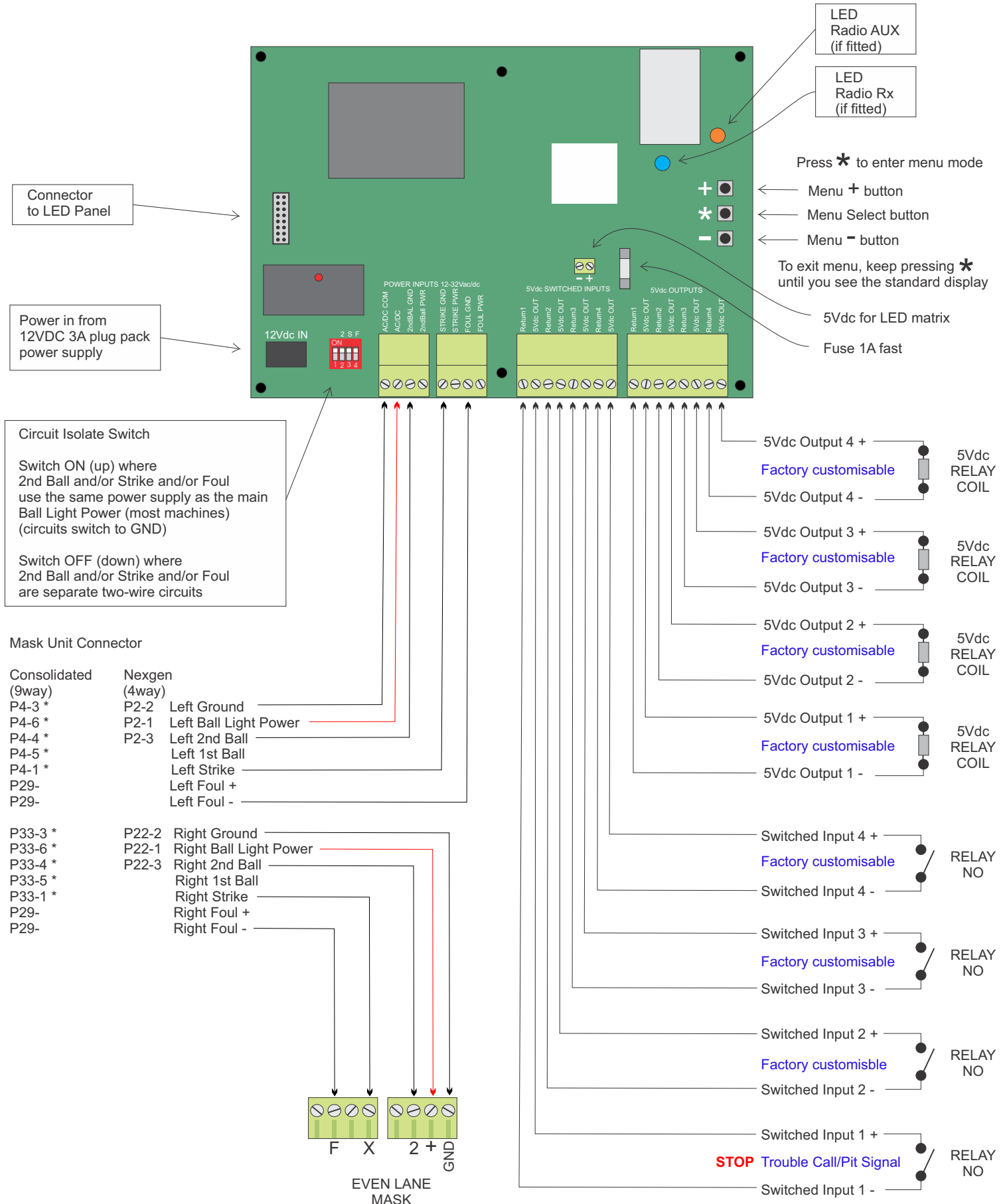


MaskMatrixP5

Universal - for all Pinpotters and Pinsetters



Brunswick GS

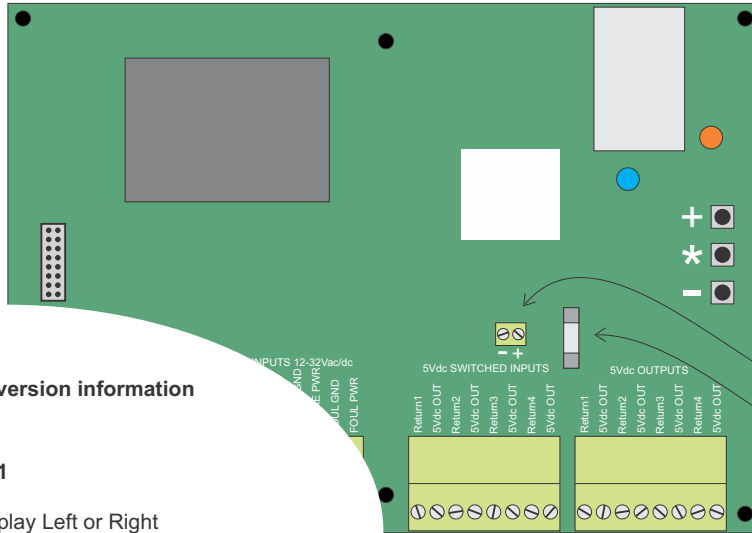


MaskMatrixP5

Universal - for all Pinspotters and Pinsetters



Menus and Option Selection



Press * to enter menu mode

← Menu + button

← Menu Select button

← Menu - button

To exit menu, keep pressing * until you see the standard display

5Vdc for LED matrix

Fuse 1A fast

Press + to display software version information

Press * to enter Menu Level 1

- Menu Level 1 - Set 1/2 Ball display Left or Right
 - Press + to switch 1/2 Ball to Left and Lane Number to Right
 - Press - to switch 1/2 Ball to Right and Lane Number to Left
 - Press * to enter Menu Level 2 (auto saves 1/2 Ball display Left/Right)

- Menu Level 2 - Set Lane Number
 - Press + to increase Lane Number
 - Press - to decrease Lane Number
 - Press * to enter Menu Level 3 (auto saves selected Lane Number)

- Menu Level 3 - Set Lane ON Lane Number Colour
 - Press + to cycle up through available options
 - Press - to cycle down through available options
 - Press * to enter Menu Level 4 (auto saves Lane ON Lane Number Colour)

- Menu Level 4 - Set Lane OFF Lane Number Colour
 - Press + to cycle up through available options
 - Press - to cycle down through available options
 - Press * to enter Menu Level 5 (auto saves Lane OFF Lane Number Colour)

- Menu Level 5 - Set 1st & 2nd Ball Display
 - Press + to cycle up through available options
 - Press - to cycle down through available options
 - Press * to enter Menu Level 6 (auto saves 1st & 2nd Ball Display)

- Menu Level 6 - Set Strike Display
 - Press + to cycle up through available options
 - Press - to cycle down through available options
 - Press * to exit Menu

